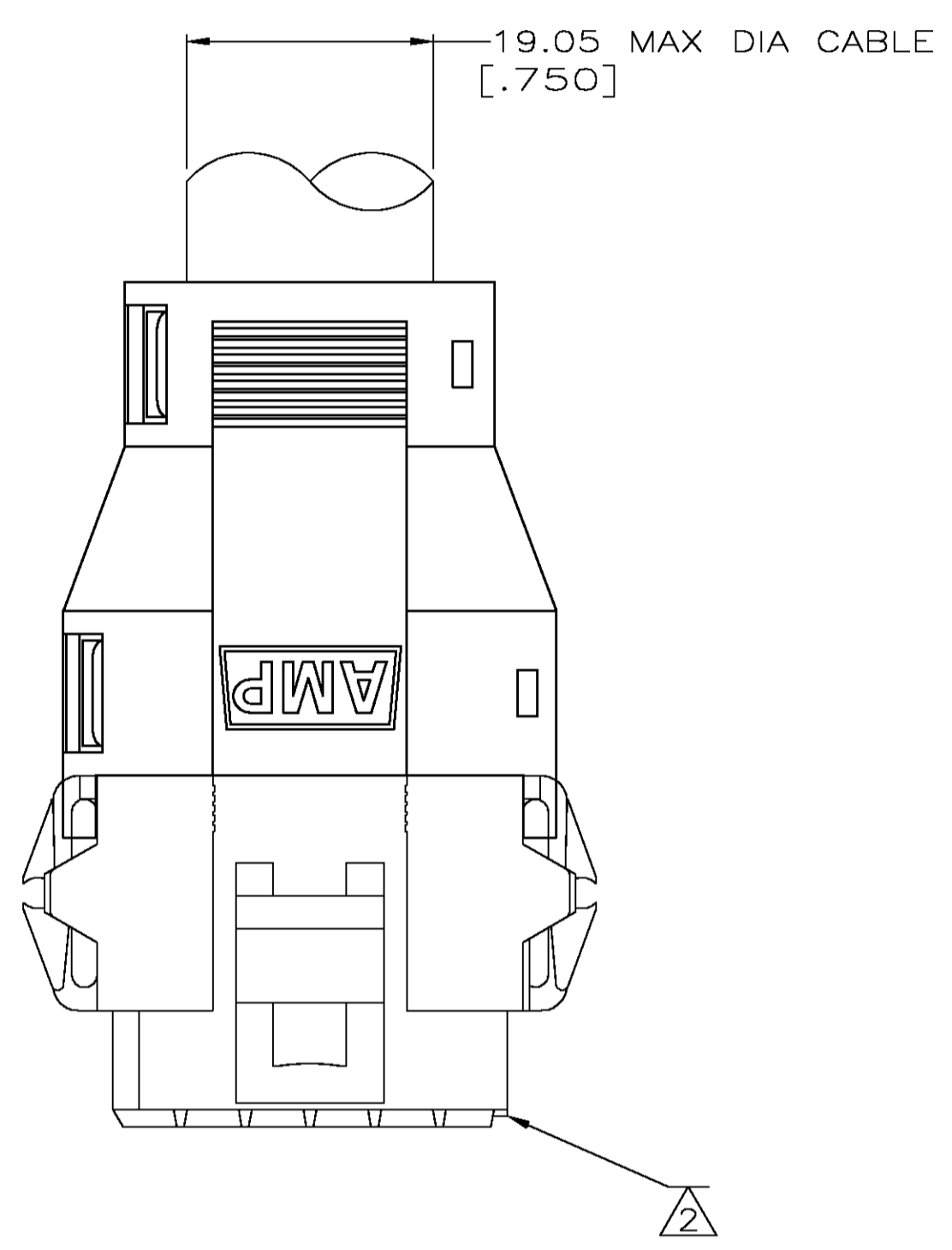
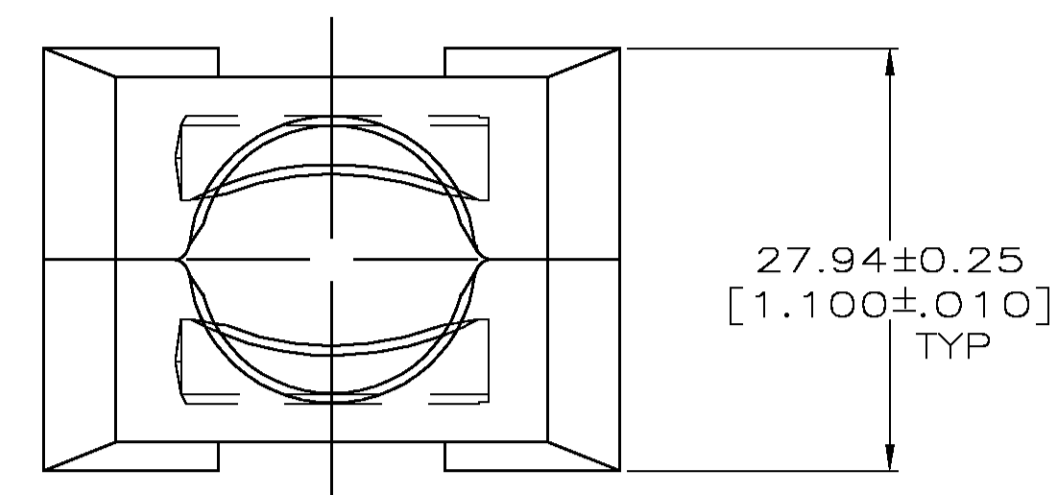
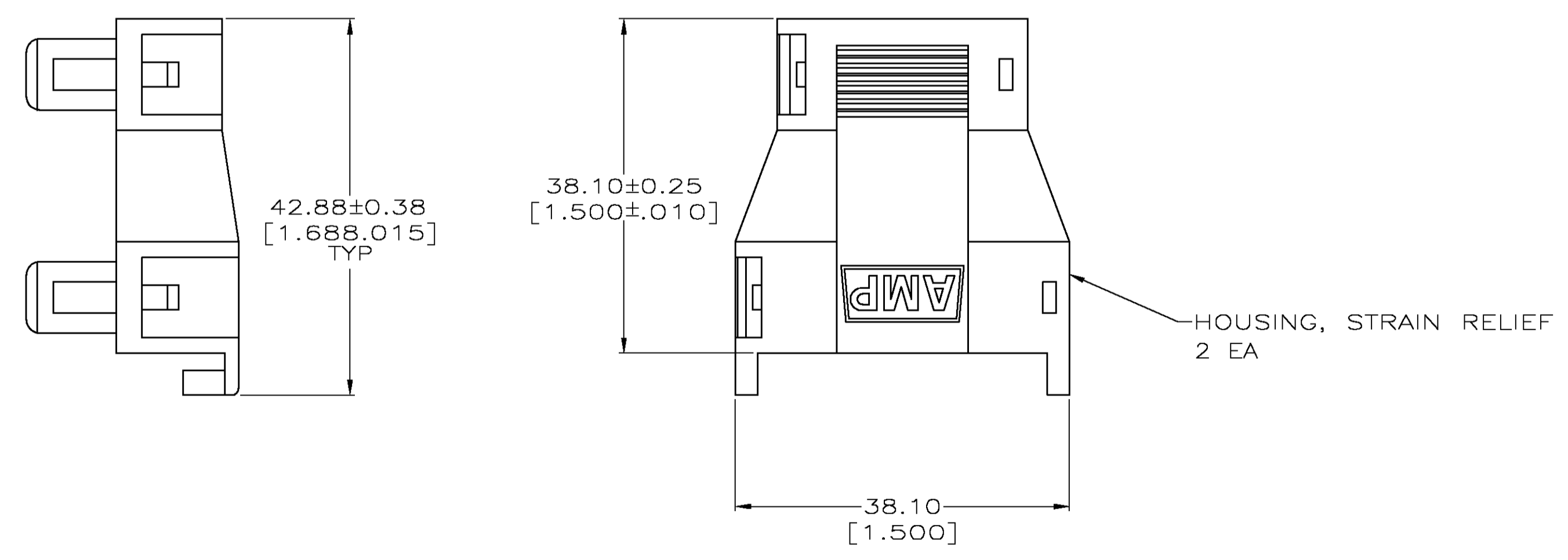
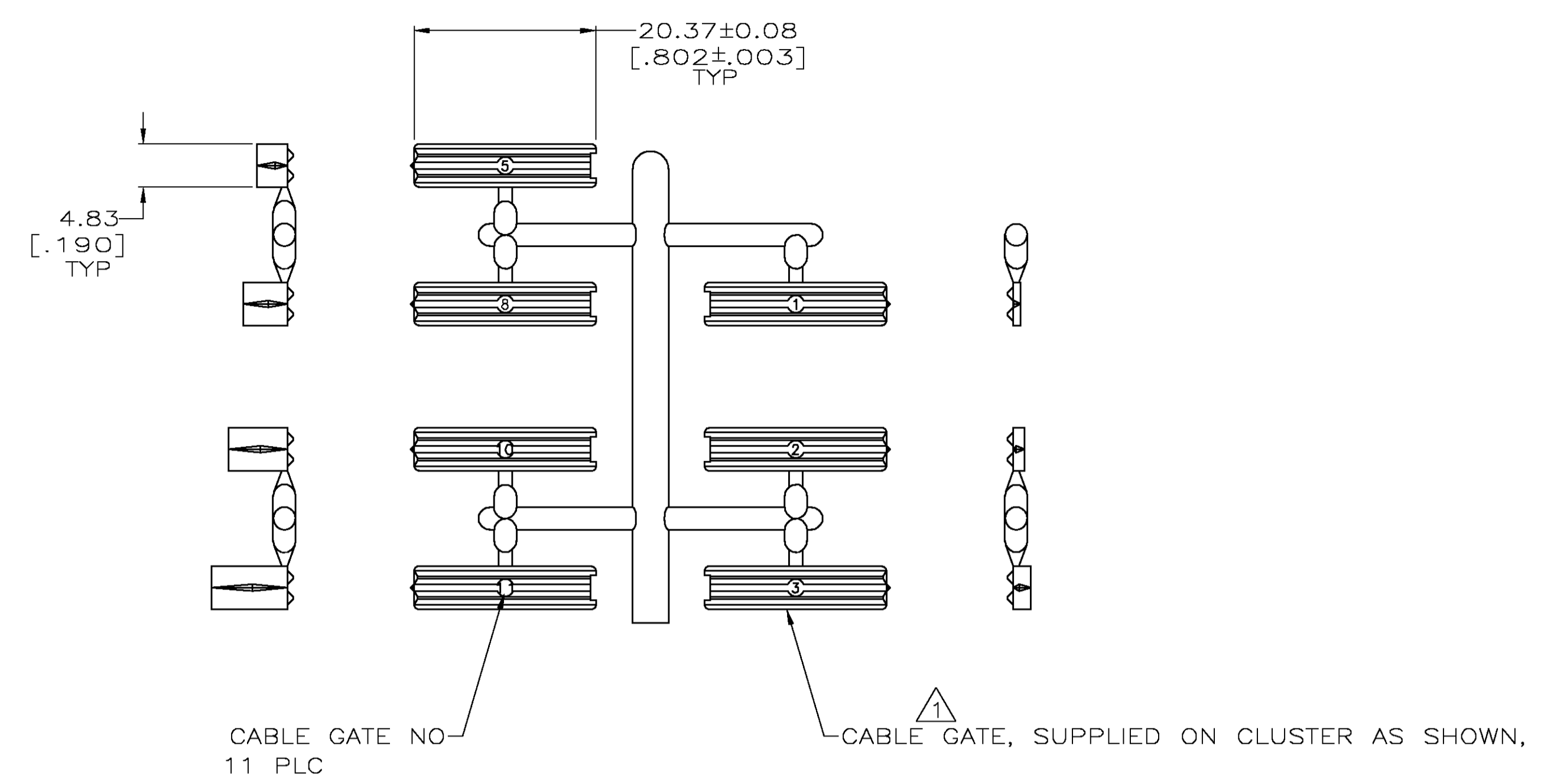


LOC		DIST		REVISIONS			
FT	O	P	LTR	DESCRIPTION	DATE	DNW	APVD
E				REVISED PER 063B-1122-04	12/1/04	SS	GS



ASSEMBLED VIEW



- ▲ A VARIETY OF CABLE GATES ARE PROVIDED TO ACCOMMODATE A VARIETY OF CUSTOMER CABLE SIZES.
- ▲ PLUG SHOWN FOR REFERENCE ONLY, STRAIN RELIEF CAN BE USED ON EITHER PLUG OR RECEPTACLE.

207088-1
PART NUMBER

THIS DRAWING IS A CONTROLLED DOCUMENT.		DNW J. McCLINTON 1-24-92	Tyco Electronics Corporation Harrisburg, Pa 17105-3608
DIMENSIONS: INCHES		CHK R. STONE 1-29-92	
TOLERANCES UNLESS OTHERWISE SPECIFIED:		APVD -	NAME -
0 PLC ± -	1 PLC ± -	PRODUCT SPEC 108-10033	STRAIN RELIEF KIT, UNASSEMBLED, 24 POSITION, METRIMATE
2 PLC ± ± 0.13[.005]	3 PLC ± ± -	APPLICATION SPEC -	
4 PLC ± ± -	ANGLES ± ± -	SIZE A1	CAGE CODE 00779
MATERIAL NYLON, NATURAL RED	FINISH -	WEIGHT -	DRAWING NO. 207088
CUSTOMER DRAWING		SCALE 2:1	SHEET 1 OF 1